



# AMP-2 Cut Sheet



## *Features*

- Simple-to-Use DIN Type Bracket for Easy Installation
- BNC Terminal (left) allows Direct Connection to pH Sensor
- Mini DIN Terminal (right) allows Direct Connection to EC/Temp Sensor
- Mini DIN Terminal (middle) allows Direct Connection to Aqua-X Controller

## *Overview*

The AMP-2 module connects the Aqua-x to a set of precision pH / EC & temperature probes to constantly measure the pH / EC & temperature of the water being sampled. The AMP-2 works with the TrolMaster PCT-1&2 and the PPH-1&2 probes. Once connected to the Aqua-x, the AMP-2 will display the sensor data on the Aqua-x and on the APP. The minimum and maximum "limits" can be set on the Aqua-x providing 24/7 notification of pH / EC or temperatures that are out of limits.

# **T** Product Specifications

## *Dimensional Diagram*

### **Package Content**

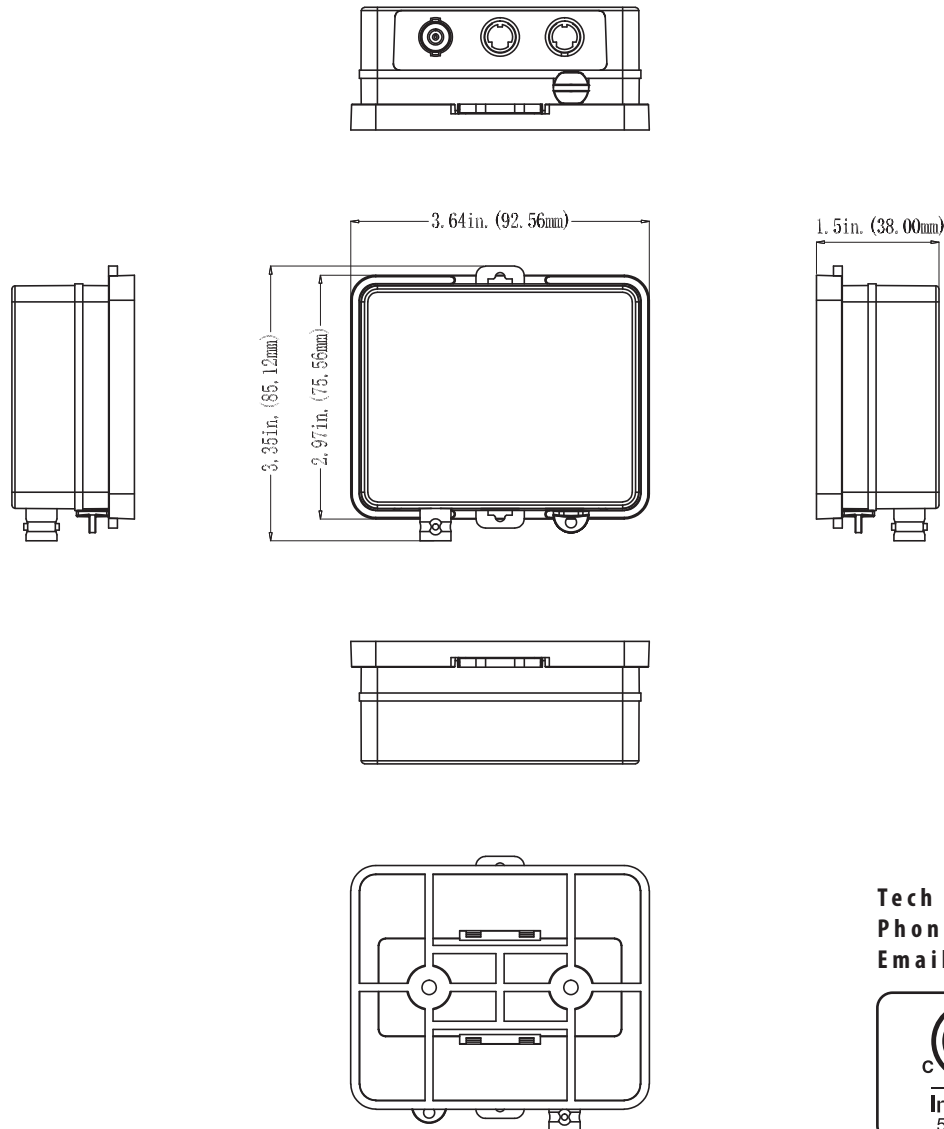
- 1 x Sensor Board
- 1 x 2.5-Meter Long Signal Cable

### **Working Environments**

Temperature 32-122°F, Humidity=90%

### **Package Dimensions**

160mm(L) x 86mm(W) x 86mm(H)



**Tech Support**  
**Phone : 877-420-9876**  
**Email : support@trolmaster.com**

